



# DINOSAUR ROUNDUP RODEO



*July 11-13, 2019*

**2019 Royalty Pageant  
Official Contestant Rules/Guidelines  
Saturday, May 18, 2019 at 10 am  
Vernal, UT – Western Park Indoor Arena**

The Dinosaur Roundup Rodeo Royalty will serve as goodwill ambassadors by representing the Dinosaur Roundup Rodeo, The Professional Rodeo Cowboys Association, as well as our community and sponsors with the highest level of poise and integrity. They will recognize the importance of promoting a positive image and preserving our Western heritage.

Contestants of the Dinosaur Roundup Rodeo Royalty Pageant will compete in the following categories:

1. Public Speaking/Prepared Speech
2. Modeling
3. Personality
4. Appearance
5. Horsemanship/Freestyle
6. Personal Interview
7. Impromptu Interview
8. Written Test

## **PUBLIC SPEAKING/PREPARED SPEECH**

The speech must be 2 to 3 minutes in length, and memorized. The topic is “Behind the Dream.” The contestant will be penalized for going under or over the time limit. A timer will go off at three minutes and the contestant may finish the sentence that she is on and then terminate her speech. She will be judged on the projection of her speech and the manner that it is given. She will also be judged on her personality throughout her speech. The public speaking shows the judges how well the contestant presents herself in front of an audience.

## **MODELING**

The contestant will model in front of an audience and the judges. Contestants are encouraged to utilize their Western fashion forward savvy. Dresses are not required. During the modeling, the contestant is also being scored separately on appearance. There will be no set modeling pattern. The contestant will be allowed to model up to 1 ½ minutes. The purpose of the modeling will be to showcase confidence, personality, and grace.

## **PERSONALITY**

Contestants will be judged on their personality throughout the entire pageant. Anytime the contestant is in front of a judge she will be scored on her personality. We want to have Royalty that is personable, knowledgeable, confident, and works well with others.

## **APPEARANCE**

Contestants will be judged on their outward appearance. During all portions of the Pageant, contestants will be scored when they are in front of the judges. We want our Royalty to look the part from the top of their hats to the soles of their boots.

## **HORSEMANSHIP**

Horsemanship is a vital element of the Dinosaur Roundup Rodeo pageant. Not only does the Royalty have to be professional while they are representing our rodeo, they have to be able to demonstrate their ability as a rider. Contestants will be evaluated in the following aspects of horsemanship:

- Exhibition of poise and confidence
- Ability to maintain a balanced, functional, and fundamentally correct body position
- Execution and completion of the assigned reining pattern
- Demonstration of horsemanship skills in handling her horse on the ground and in the arena
- Physical appearance of the horse



# DINOSAUR ROUNDUP RODEO



Contestants will lead their horse into the arena and mount. The pattern for the 2019 pageant is shown in Exhibit A at the end of the rules and guidelines. After completion of the reining pattern, the contestant will walk to the south end of the arena, pivot left, and perform a presentation ride. During this presentation, the contestant will be judged on the following:

- Speed at a fast controlled gait
- Correct lead
- Salute to the crowd
- A smooth and controlled stop

The contestant will be asked to dismount after the presentation ride, walk to the judges, unbridle and bridle their horse, and lead them from the arena. The judges may ask questions before you exit the arena.

**Contestants must use the same horse for the entire judged horsemanship and freestyle events.**

**Only contestants and those helping with the pageant will be allowed in the arena and staging area.**

## **FREESTYLE**

The contestants will continue competing in a freestyle riding event allowing them to showcase their partnership with their horse. The contestant's program cannot exceed three (3) minutes in length, including any introductions. Contestants may use one or more pieces of music, vocal or instrumental; part of a speech; pieces of poetry; spoken words, etc. Be creative! Sound is required, and contestants will be responsible for providing their own sound. No equipment will be allowed (e.g., barrels, jumps, etc). Costumes are required. Riders may carry flags as part of their routines as long as you enter the arena with the flag(s) in hand.

The following maneuvers will be required during the freestyle riding event:

- Three (3) consecutive spins to the right
- Three (3) consecutive spins to the left
- A minimum of three (3) stops
- A minimum of one (1) lead change at the lope from left to right
- A minimum of one (1) lead change at the lope from right to left
- Additional reining maneuvers are appropriate.

## **PERSONAL INTERVIEW**

The interview will be 7 minutes per contestant. This chance for the contestant to shine with the judges. The contestant will be asked questions on personality, current events, equine knowledge, pro rodeo rules, general rodeo knowledge, and anything in between. The purpose of the interview is to see how well contestants conduct themselves in the public setting.

## **IMPROMPTU INTERVIEW**

The impromptu interview will be held in conjunction with the Speech and Modeling portions of the contest. Each contestant will receive the same question. In this portion of the pageant, the contestant should expect the unexpected. The question will be presented by the Dinosaur Roundup Rodeo President. The contestants will be in an isolation room until it is their turn. After completing the interview, the contestant will be escorted from the area to an isolation room until all contestants have been given the impromptu question.

## **WRITTEN TEST**

The written test will be administered in a separate, supervised room and will include a combination of both rodeo and equine knowledge and questions pertaining to the history of the Dinosaur Roundup Rodeo. Recommended study materials include the website [vernalrodeo.com](http://vernalrodeo.com).



# DINOSAUR ROUNDUP RODEO



## SCORING

Score sheets will be used to judge the Dinosaur Roundup Rodeo Royalty Pageant. Each contestant will be able to review her total scores in each category and judging results at the conclusion of the pageant. To ensure confidentiality, composite score sheets will not be posted.

Each contestant will draw for her number when she arrives at the pageant. This will be the order that she will compete in for every category. Parents of contestants are not allowed to draw numbers for them. Contestants must have numbers visible in all portions of the pageant.

There will be three judges for each category of the contest and each contestant will be scored as followed: Public Speaking/Prepared Speech, Modeling, and Impromptu Interview will account for 150 points. The Personal Interview, Personality and Appearance will account for 150 points. Horsemanship/Freestyle will account for 200 points. The Written Test is worth 50 points for an overall total of 550 points. If there are questions on a portion of the judging the matter may be taken up with the royalty chairman and the judge in question. The judges may give comments and feedback.

## ELIGIBILITY REQUIREMENTS

The Dinosaur Roundup Rodeo Royalty will consist of a Queen and at least one attendant.

Queen contestants must be 16-24 years of age by May 18<sup>th</sup> of the pageant year.

Contestants must be single and never married and/or pregnant. If any member of the Royalty decides to marry or becomes pregnant, she will automatically forfeit her reign.

Contestants must reside in the state of Utah to be eligible. Contestants may hold another title if it will not interfere with them representing the Dinosaur Roundup Rodeo during her entire reign.

Crowned title holders, attendants, and parents will be required to sign the Royalty Code of Conduct agreement. This agreement outlines the expectations of the Dinosaur Roundup Rodeo Committee while representing our rodeo. Items on the contract will include completion of reign, attire during reign, conduct, morals, ethical standards, grounds for dismissal, and required attendance to all Dinosaur Roundup Rodeo sanctioned events. Everyone will be expected to abide by the Code of Conduct agreement including parents, family members, and friends. If for any reason, a royalty member should be asked to resign, she will be required to forfeit and return all prizes and awards to the committee.

Royalty is always in the public eye. Therefore, it is very important to look your best at all times. Royalty must be in full and appropriate western attire when appearing on behalf of the Dinosaur Roundup Rodeo. This will include at all times the Dinosaur Roundup Rodeo crown, banner and the Dinosaur Roundup Rodeo buckle. The Dinosaur Roundup Royalty will be supervised/chaperoned at all times by parent/guardian or royalty chairman.

According to what is appropriate for the designated function, royalty may wear skirts, dresses, pants, vest, or jacket. A long sleeved shirt or blouse, along with Wrangler jeans will be required when riding in the arena. Ripped or faded jeans are not allowed. Proper western boots and felt hats must accompany these outfits. While representing the Dinosaur Roundup Rodeo, royalty will not be seen in short sleeved, key hole, tank top or crop top style shirts, shorts, cut off or cut out pants. These requirements follow the Miss Rodeo Utah PRCA guidelines.

The Royalty Chairman and Dinosaur Roundup Rodeo Executive Board will have final decision in all areas of behavior and appearance. If for some reason the reigning title holder is unable to fulfill her duties, the Dinosaur Roundup Rodeo Executive Board will appoint a replacement for the remainder of her term.



# DINOSAUR ROUNDUP RODEO



Contestants are at liberty to invite guests to the Pageant, excluding the Personal Interview. Guests should respect all the contestants, judges, and committee members. All guests should conduct themselves in a courteous manner.

The Royalty court will represent and promote the Dinosaur Roundup Rodeo and the sport of rodeo in the following venues:

- |                   |   |
|-------------------|---|
| Grand Entries     | Sponsorship Events                      |
| Area Rodeos       | Radio/TV                                |
| County Fairs      | Dinosaur Roundup Rodeo Meetings         |
| Ticket Booths     | Royalty Luncheons and functions         |
| Area Parades      | Events Requested by the Executive Board |
| Hospitality Room  | Special Needs Rodeo                     |
| Charitable Events | Autograph signing table                 |

The Dinosaur Roundup Rodeo committee would like to thank all of the applicants for their interest and dedication to the sport of rodeo. We are looking forward to meeting you and your family members and wish you well in all of your endeavors for a successful 2018 rodeo season!

Contact Information:

Cindy Williams                      435-828-1568                      vernalrodeo@gmail.com

## PAGEANT TENTATIVE SCHEDULE – WESTERN PARK

- 9:30 AM            Contestant Meeting (Contestants Only) – Board Room
- 10:00 AM            Modeling, Speech, Impromptu Question – Conference Room #4
- Personal Interview and Test – Board Room and Conference Room
- Break (Change for Horsemanship, warm up horses)
- Horsemanship and Freestyle – Indoor Arena #1
- 5:00 PM            Coronation – Conference Room #4

*Schedule subject to change at discretion of Dinosaur Roundup Rodeo Executive Board. All participants will be notified of changes.*



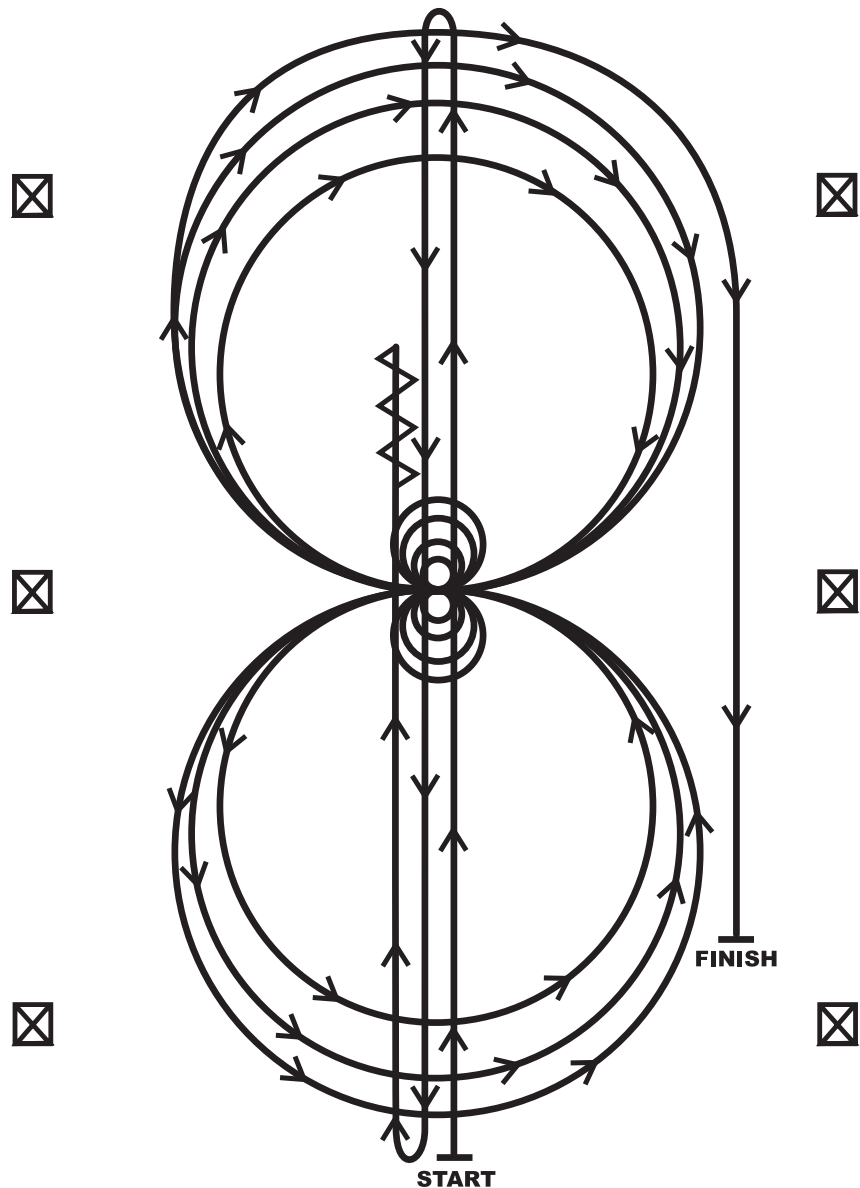
# **DINOSAUR ROUNDUP RODEO**

---



## ***Exhibit A – 2019 Royalty Pageant Reining Pattern***

## REINING PATTERN 7



1. Run at speed to the far end of the arena past the end marker and do a left rollback—no hesitation.
2. Run to the opposite end of the arena past the end marker and do a right rollback—no hesitation.
3. Run past the center marker and do a sliding stop. Back up to the center of the arena or at least ten feet (three meters). Hesitate.
4. Complete four spins to the right. Hesitate.
5. Complete four and one-quarter spins to the left so that horse is facing left wall or fence. Hesitate.
6. Beginning on the right lead, complete three circles to the right: the first two circles large fast; the third circle small and slow. Change leads at the center of the arena.
7. Complete three circles to the left: the first two circles large fast; the third circle small and slow. Change leads at the center of the arena.
8. Begin a large circle to the right but do not close this circle. Run straight down the right side of the arena past the center marker and do a sliding stop at least twenty feet (six meters) from the wall or fence. Hesitate to demonstrate completion of the pattern.