



VERNAL'S DINOSAUR ROUNDUP RODEO

July 6-8, 2023



2023 Royalty Pageant Official Contestant Rules/Guidelines
Thursday, May 4, 2023 at 5:30 PM --- Vernal, UT – Western Park Indoor Arena

The Dinosaur Roundup Rodeo Royalty will serve as goodwill ambassadors by representing the Dinosaur Roundup Rodeo, The Professional Rodeo Cowboys Association, as well as our community and sponsors with the highest level of poise and integrity. They will recognize the importance of promoting a positive image and preserving our Western heritage.

Contestants of the Dinosaur Roundup Rodeo Royalty Pageant will compete in the following categories:

1. Public Speaking/Prepared Speech
2. Modeling
3. Personality
4. Appearance
5. Horsemanship
6. Personal Interview
7. Impromptu Interview
8. Written Test

PUBLIC SPEAKING/PREPARED SPEECH

The speech can be up to 2.5 minutes in length, and must be memorized. The speech can be on any topic. A timer will go off at 2.5 minutes and the contestant may finish the sentence that she is on and then terminate her speech.

MODELING

The contestant will model in front of an audience and the judges. Contestants are encouraged to utilize their Western fashion forward savvy. Dresses are not required. During the modeling, the contestant is also being scored separately on appearance. There will be no set modeling pattern. The contestant will be allowed to model up to 1 ½ minutes.

PERSONALITY

Contestants will be judged on their personality throughout the entire pageant. Anytime the contestant is in front of a judge she will be scored on her personality.

APPEARANCE

Contestants will be judged on their outward appearance. During all portions of the Pageant, contestants will be scored when they are in front of the judges. Western hat, western boots, and long sleeves are required for all categories.

HORSEMANSHIP

Horsemanship is a vital element of the Dinosaur Roundup Rodeo pageant. Not only does the Royalty have to be professional while they are representing our rodeo, they have to be able to demonstrate their ability as a rider. Contestants will be evaluated in the following aspects of horsemanship:

- Exhibition of poise and confidence
- Ability to maintain a balanced, functional, and fundamentally correct body position
- Execution and completion of the assigned reining pattern
- Demonstration of horsemanship skills in handling her horse on the ground and in the arena
- Physical appearance of the horse



VERNAL'S DINOSAUR ROUNDUP RODEO



Contestants will lead their horse into the arena and mount. The pattern for the 2023 pageant is shown in Exhibit A at the end of the rules and guidelines, which is AQHA Pattern #7. After completion of the reining pattern, the contestant will pivot left, and perform a presentation ride completely around the arena, stopping between the 1st and 2nd cone on the right hand side of the arena. During this presentation, the contestant will be judged on the following:

- Speed at a fast controlled gait
- Correct lead
- Salute to the crowd
- A smooth and controlled stop

The contestant will dismount after the presentation ride, walk to the judges, unbridle and bridle their horse, and lead them from the arena. The judges may ask questions before you exit the arena.

Dress for horsemanship is a Wrangler® pant product and fitted blouse or shirt with long sleeves any color with shirttail tucked in. No vests, jackets, or chaps.

Only contestants and one helper will be allowed in the arena and staging area.

PERSONAL INTERVIEW

The interview will be 7 minutes per contestant. This chance for the contestant to shine with the judges. The contestant will be asked questions on personality, current events, equine knowledge, pro rodeo rules, general rodeo knowledge, and anything in between.

IMPROMPTU INTERVIEW

The impromptu interview will be held in conjunction with the Speech and Modeling portions of the contest. Each contestant will receive the same question. The contestants will be in an isolation room until it is their turn. After completing the interview, the contestant will be escorted from the area to an isolation room until all contestants have been given the impromptu question.

WRITTEN TEST

The written test will be administered in a separate, supervised room and will include a combination of both rodeo and equine knowledge and questions pertaining to the history of the Dinosaur Roundup Rodeo. Recommended study materials include the website vernalrodeo.com.

SCORING

Each contestant will draw for her number when she arrives at the pageant. This will be the order that she will compete in for every category.

There will be three judges for each category of the contest and each contestant will be scored as followed: Public Speaking/Prepared Speech, Modeling, and Impromptu Interview will account for 150 points. The Personal Interview, Personality and Appearance will account for 150 points. Horsemanship will account for 200 points. The Written Test is worth 50 points for an overall total of 550 points per judge. If there are questions on a portion of the judging the matter may be taken up with the royalty chairman and the judge in question. The judges may give comments and feedback. In the event of a tie, test scores will be used as a tie-breaker.

Score sheets will not be available for review at the coronation. Copies of judge's notes will be mailed to each contestant.

ELIGIBILITY REQUIREMENTS

The Dinosaur Roundup Rodeo Royalty will consist of a Queen and at least one attendant.

Queen contestants must be female, and 16-24 years of age by May 4th of the pageant year.

Contestants must be single and never married and/or pregnant. If any member of the Royalty decides to marry or becomes pregnant, she will automatically forfeit her reign.



VERNAL'S DINOSAUR ROUNDUP RODEO



Contestants must be a resident of Utah, Colorado, or Wyoming to be eligible. Contestants may hold another title if it will not interfere with them representing the Dinosaur Roundup Rodeo during her entire reign.

Crowned title holders, attendants, and parents will be required to sign the Royalty Code of Conduct agreement. This agreement outlines the expectations of the Dinosaur Roundup Rodeo Committee while representing our rodeo. Items on the contract will include completion of reign, attire during reign, conduct, morals, ethical standards, grounds for dismissal, and required attendance to all Dinosaur Roundup Rodeo sanctioned events. Everyone will be expected to abide by the Code of Conduct agreement including parents, family members, and friends. If for any reason, a royalty member should be asked to resign, she will be required to forfeit and return all prizes and awards to the committee.

Royalty is always in the public eye. Therefore, it is very important to look your best at all times. Royalty must be in full and appropriate western attire when appearing on behalf of the Dinosaur Roundup Rodeo. This will include at all times the Dinosaur Roundup Rodeo crown, banner and the Dinosaur Roundup Rodeo buckle.

According to what is appropriate for the designated function, royalty may wear skirts, dresses, pants, vest, or jacket. A long sleeved shirt or blouse, along with Wrangler® jeans will be required when riding in the arena. Ripped or faded jeans are not allowed. Proper western boots and felt hats must accompany these outfits. While representing the Dinosaur Roundup Rodeo, royalty will not be seen in short sleeved, key hole, tank top or crop top style shirts, shorts, cut off or cut out pants. Revealing or transparent blouses are not allowed. These requirements follow the Miss Rodeo Utah guidelines.

The Royalty Chairman and Dinosaur Roundup Rodeo Executive Board will have final decision in all areas of behavior and appearance. If for some reason the reigning title holder is unable to fulfill her duties, the Dinosaur Roundup Rodeo Executive Board will appoint a replacement for the remainder of her term.

Contestants are at liberty to invite guests to the Pageant, excluding the Personal Interview. Guests should respect all the contestants, judges, and committee members. All guests should conduct themselves in a courteous manner. The guest policy is subject to change in accordance with local, state, or federal recommendations regarding gathering sizes.

The Royalty court will represent and promote the Dinosaur Roundup Rodeo and the sport of rodeo in the following venues:

- | | |
|-------------------|---|
| Grand Entries | Sponsorship Events |
| Area Rodeos | Radio/TV |
| County Fairs | Dinosaur Roundup Rodeo Meetings |
| Ticket Booths | Royalty Luncheons and functions |
| Area Parades | Events Requested by the Executive Board |
| Hospitality Room | Special Needs Rodeo |
| Charitable Events | Autograph signing table |

The Dinosaur Roundup Rodeo committee would like to thank all of the applicants for their interest and dedication to the sport of rodeo. We are looking forward to meeting you and your family members and wish you well in all your endeavors for a successful 2023 rodeo season!

Contact Information:

Cindy Williams

435-828-5142

vernalrodeo@gmail.com



VERNAL'S DINOSAUR ROUNDUP RODEO



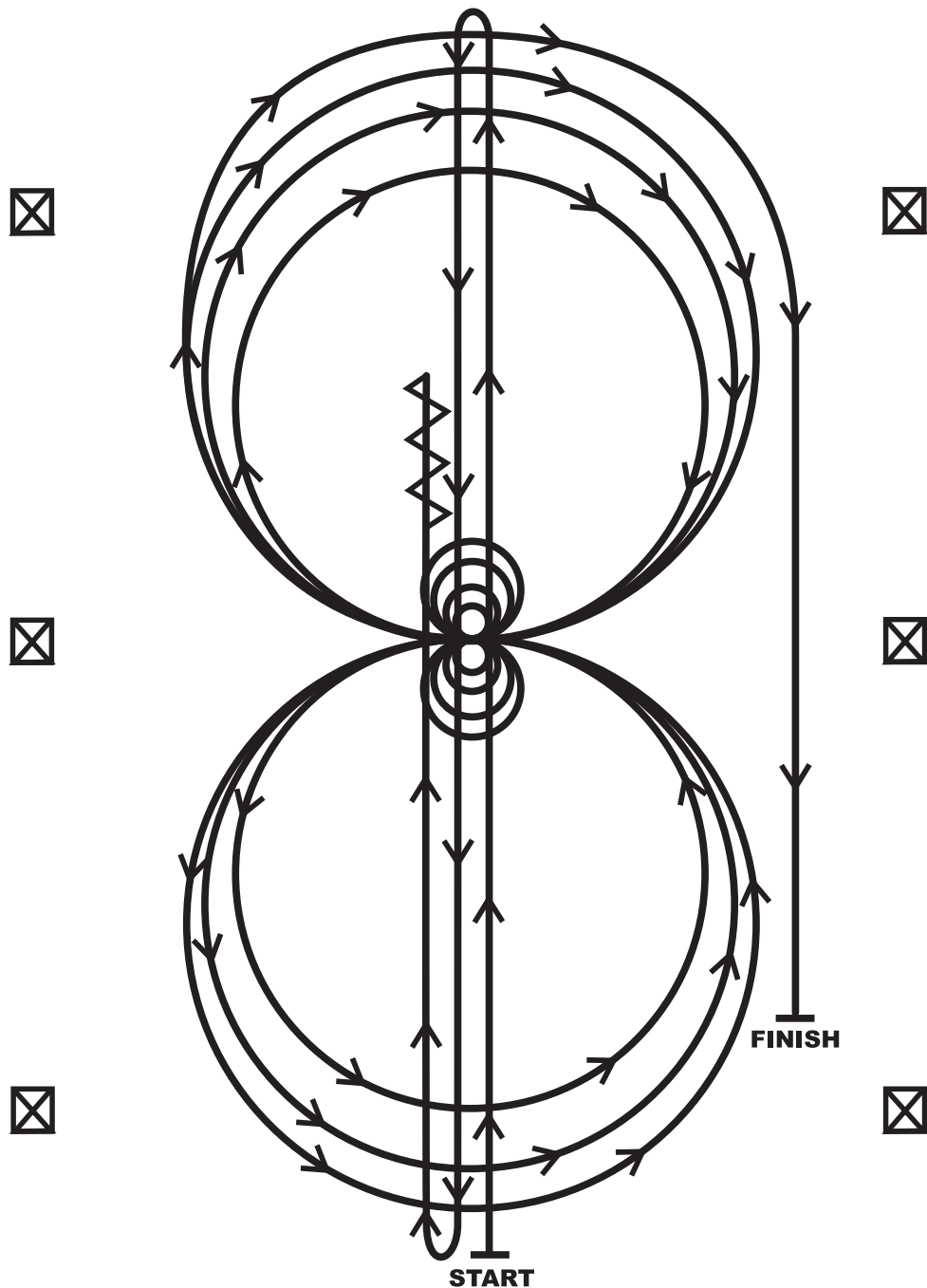
PAGEANT TENTATIVE SCHEDULE – WESTERN PARK

- 5:00 PM Contestant and Judges Meeting (Contestants Only) – Board Room
- 5:30 PM Modeling, Speech, Impromptu Question – Conference Room #4
- Personal Interview and Test – Board Room and Conference Room
- 30 Minute Break (Change for Horsemanship, warm up horses)
- Horsemanship – Indoor Arena #1
- Coronation – Conference Room #4
(Contestants to remain in horsemanship attire for coronation)

Mandatory meeting for royalty and parents following coronation in Western Park Board Room.

Schedule subject to change. All participants will be notified of changes.

REINING PATTERN 7



1. Run at speed to the far end of the arena past the end marker and do a left rollback—no hesitation.
2. Run to the opposite end of the arena past the end marker and do a right rollback—no hesitation.
3. Run past the center marker and do a sliding stop. Back up to the center of the arena or at least ten feet (three meters). Hesitate.
4. Complete four spins to the right. Hesitate.
5. Complete four and one-quarter spins to the left so that horse is facing left wall or fence. Hesitate.
6. Beginning on the right lead, complete three circles to the right: the first two circles large fast; the third circle small and slow. Change leads at the center of the arena.
7. Complete three circles to the left: the first two circles large fast; the third circle small and slow. Change leads at the center of the arena.
8. Begin a large circle to the right but do not close this circle. Run straight down the right side of the arena past the center marker and do a sliding stop at least twenty feet (six meters) from the wall or fence. Hesitate to demonstrate completion of the pattern.